



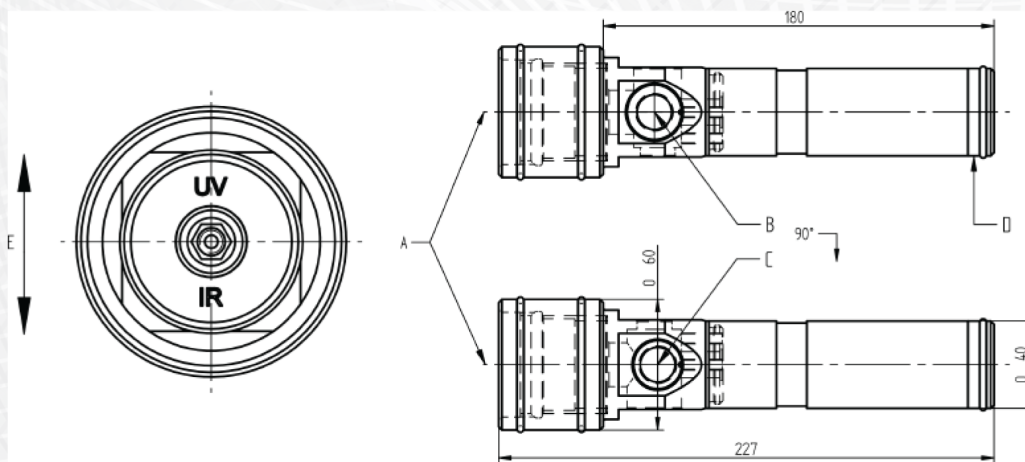
Flame Simulator

048-001-3401



Flame Simulator P/N 048-001-3401

Application	Flame simulation for IR and UV Flame Scanner	Dimensions (mm)	See dimensional drawing
Supply Voltage	Alkaline battery 9V, 500 mAh, Automatic switch-off after approx. 5 min	Material	Aluminum
Frequency Range	Modulated Flame simulation	Weight	1.44 lbs (0.52 kg)
Mounting	Threaded receptacle for ZPF 110, 120, 130, 1100, and 1200	Battery life	Approx. 3 years
		Ambient temperature	14°F...140°F (-10°C...60°C)



- A Threaded receptacle for ZPF 110, 120, 130, 1100, and 1200
- D Changing battery 9Vdc, 500 mA - (turn left to open housing)
- E Toggle switch